

AT-AM2-3567-18XC2

Active Multiplier x2, 35-67GHz Pout=+18dBm

Active X2, 35-67GHz Frequency Doubler

2022-6-1



Description:

AT-AM2-3567-18XC2 is a broadband frequency doubler. The doubler has an input frequency of 17.5-33.5 GHz with a typical output +18dBm from 35-67GHz.

The integrated output buffers deliver high output power at a low drive level. The doubler also has a typical harmonic suppression. The input port is 2.92mm female, and the output is 1.85mm Male in default.

More information, please visit www.atmicrowave.com

Feature

- ✓ Frequency: 35-67GHz
- ✓ Pout: +18dBm typical
- ✓ Input: 17.5-33.5GHz
- ✓ Low Harmonics

Application

- ✓ 5G Communication
- ✓ Test Equipment
- ✓ ROF (RF Over Fiber)
- ✓ Radar System

Electronical Specifications:

Parameter	Min	Typical	Max
Input Frequency		17.5-33.5GHz	
Input Power	+10	+13dBm	+16
Multiplier Factor		X2	
Output Frequency		35-67GHz	
Output Power	+15	+18dBm	
Drain Voltage		+5V	+8V
Current		350mA	
Spec Temp		+25C	





AT-AM2-3567-18XC2

Active Multiplier x2, 35-67Hz Pout=+18dBm

Mechanical Information

Item	Description
Input Port	2.92mm Female
Output Port	1.85mm Male
Case Material	Copper
Finish	Gold Plated
Weight (Without Heatsink)	80g
Size:	30x30x14mm

Absolute Maximum Ratings Table

Parameter	Value
Drain Supply	+13V
RF Input Power	+20dBm
Operating Temperature	-20 to +70C
Storage Temperature	-65 to +150C

Note: -40 to 85C operating Temp range is available according to request.

Notes:

- ✓ Datasheet may be changed according to update of MMIC, Raw materials , process, and so on.
- ✓ This data is only for reference, not for guaranteed specifications.
- ✓ Please contact AT Microwave team to make sure you have the most current data.
- ✓ Always pay attention to the temperature of the case, heatsink and fan are required if case temperature exceeds over 50C.

Part Number Selection Guide

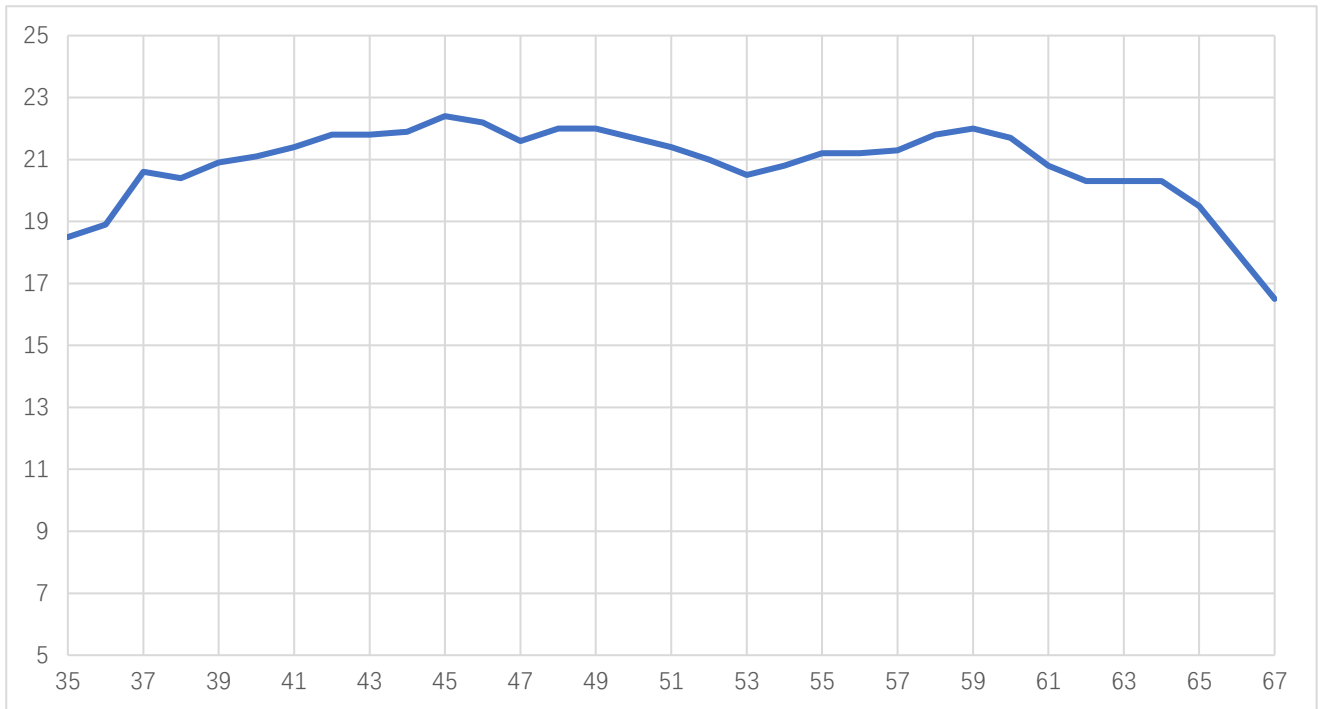
Item	Description
PN	Stand Module with DC Power Supply
PN-LCBT	L ow Cost, C ompact B ench- T op, +220V Supply with AC/DC Adapter





AT-AM2-3567-18XC2

Active Multiplier x2, 35-67Hz Pout=+18dBm



Pout vs Frequency

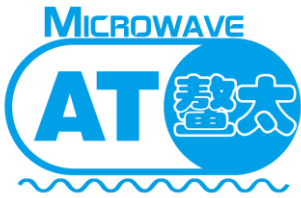
Shanghai AT Microwave Limited

Tel:021-6229 1233

Email:sales@atmicrowave.com

www.atmicrowave.com

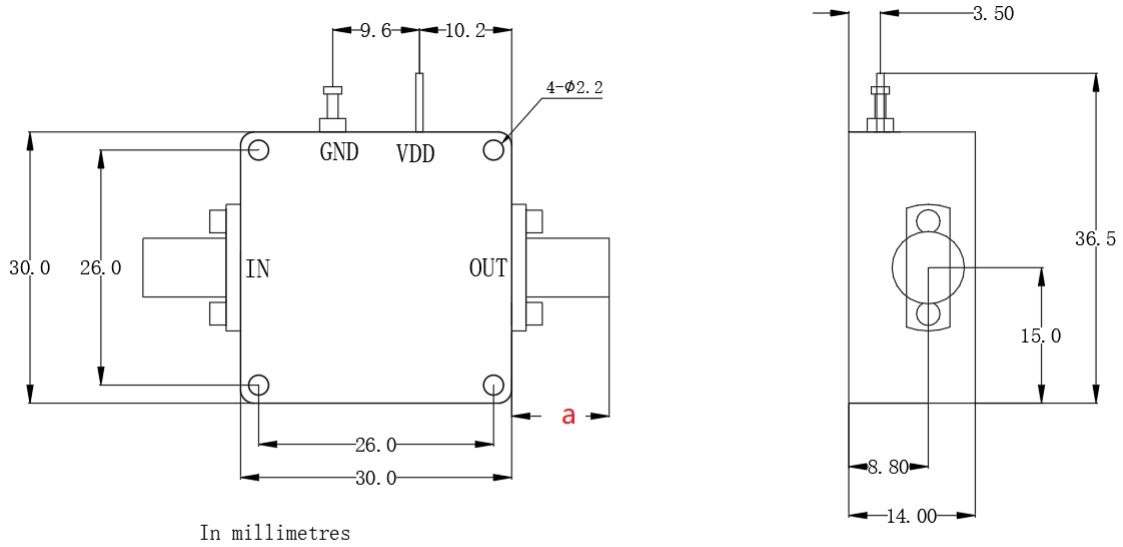




AT-AM2-3567-18XC2

Active Multiplier x2, 35-67Hz Pout=+18dBm

Dimension:



	<26.5GHz	<40GHz	<50GHz	<67GHz
Connector	SMA	2.92mm	2.4mm	1.85mm
Lenth of a	9.4mm	9.5mm	10.8mm	11.3mm

Heat Sink Required If Case Temp Higher Than 50C

